

PRESSURE SAFETY VALVE



EVOL

INSTRUMENT

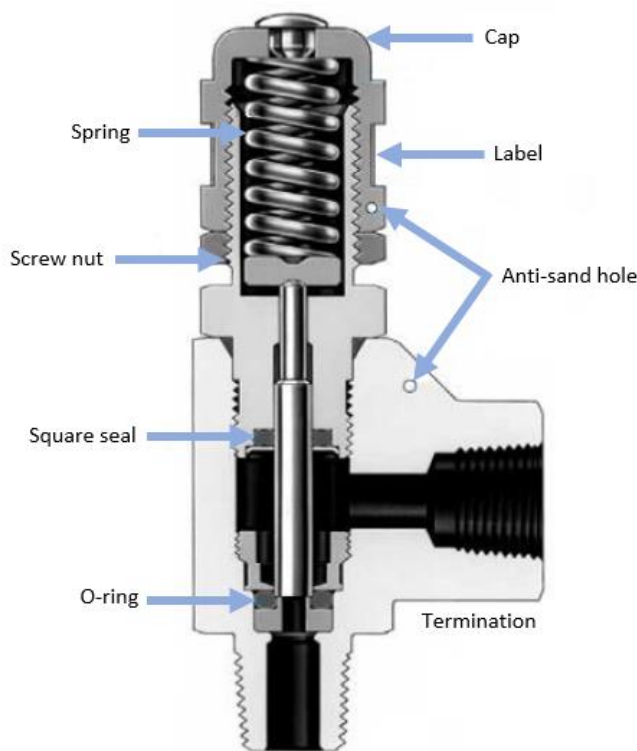
EVOL PRESSURE SAFETY VALVE



EVOL Technologies manufactures pressure safety valve for general pressure protection to high pressure conditions. With the feature of SS316L as valve material, EVOL pressure safety valve is suitable in most of the chemical industries, especially the pipelines of compressed natural gas filling stations which operated in high pressure. They are also suitable for hydraulic pipes.



Product Design



EVPSV-SS

Features & Highlights:

- ❖ Valve material: SS316L
- ❖ Nominal diameter: DN6 to DN32
- ❖ Set pressure range: 6.4 to 42 MPa
- ❖ Temperature range: -20 to 150 °C
- ❖ For noble gases, temperature range: -20 to 80 °C
- ❖ Multiple springs for high pressure valve
- ❖ Single spring for low pressure valve
- ❖ Connection type: Welded or thread
- ❖ Can be customized based on customer's requirement

Applications:

- ❖ Low to high pressure gases and liquids
- ❖ Non-corrosive and corrosive gases and liquids
- ❖ Compressed natural gas transmission

Specifications

Model	Set pressure range	Temperature range	Nominal diameter of termination	Connection type
EVPSV-SS	6.4 to 42 MPa	<ul style="list-style-type: none"> ❖ Normal: -20 to 150 °C ❖ Noble gases: -20 to 80 °C 	<ul style="list-style-type: none"> ❖ DN6 ❖ DN8 ❖ DN10 ❖ DN15 ❖ DN20 ❖ DN25 ❖ DN32 	<ul style="list-style-type: none"> ❖ Welded ❖ Thread ❖ Flange

❖ Can be customized based on customer's requirement.

Working Principle

Condition 1: Normal operation ($F_s = F_p$)

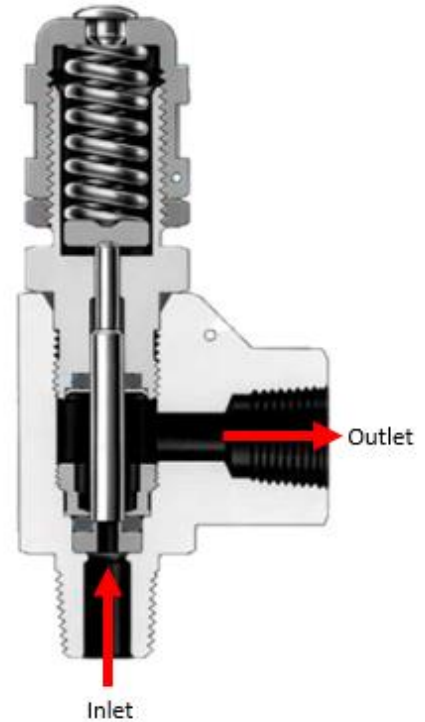
The spring force (F_s) is equivalent to the force created by the pressure at inlet of pressure safety valve (F_p). The valve functions normally.

Condition 2: Low pressure at inlet ($F_s > F_p$)

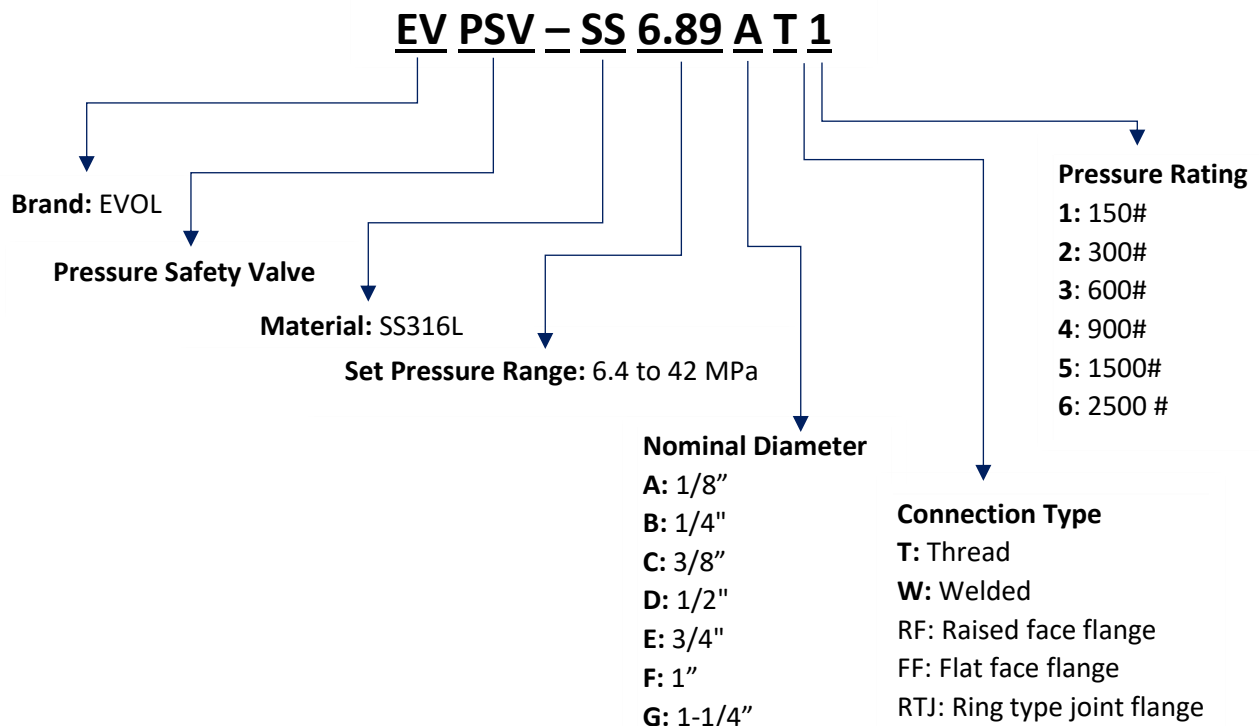
If the F_p is lower than the F_s , the mechanical spring transfers the force via spindle to close the inlet of pressure safety valve to build up the pressure in pipeline until it reaches the set pressure.

Condition 3: High pressure at inlet ($F_s < F_p$)

When the pressure at inlet of pressure safety valve continuously increases above the set pressure, the F_p compresses the mechanical spring. Thus, the valve opens rapidly and releases the gas/fluid out.



Model Number





EVOLTechnologies

www.evol-technologies.com

Lot 2075, Jalan Disa Krokop, 98000 Miri, Sarawak

+6085 416320 / 433101

enquiry@evol-technologies.com